



## Rubber Hose Reel Cabinet

HEBA provides high performance RUBBER HOSE REEL CABINETS in Recessed or Surface Mounted design.

### All Fire Hose Cabinet as well as sheet-made parts are:

Constructed from 1.2 mm Cold Rolled steel (CRS), with all round folded edges, even Hose reel edges are curled to assure the safe handling. Heba Fire Hose Cabinets are fabricated with Metal Inert Gas Welding Process, then pretreated with zinc phosphate to improve rust resistance, afterwards, they are electro statically painted with red polyester resin paint before being backed in the oven to give a hard wearing resistance, and gloss finish.

**Fire Hose** cabinets are painted red color polyester resin-Texture finish

In addition, Heba can provide Rubber Hose Reels in either manual or Automatic operating type.

HEBA is not only manufacturing you designs, but also makes your dreams come true.

Hose reels have been **hydrostatically** tested to 40 bar pressure for leaks. High level quality control standards are implemented to get quality products.



RUBBER HOSE  
REEL CABINET

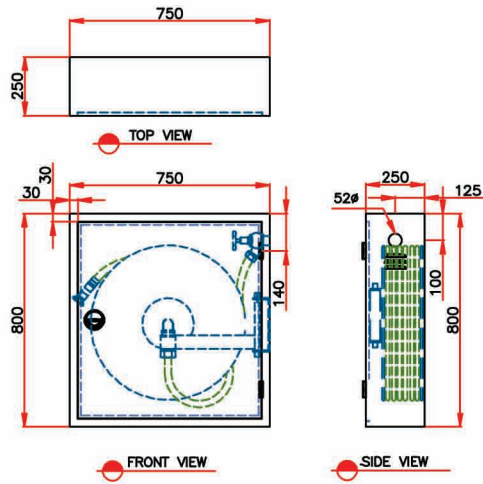
### Standard Features:

- Provided with two knockouts, which allows either left or right side water entries.
- Right hand door leaf hinged flush mounted on doorframe, 180° door opening.
- For fixing 10mm dia. Holes are provided on the back.
- Bright chrome plated recessed door lock.
- All water metal inner line made of brass or plastic.
- Automatic models are equipped with Automatic reels.
- Red color 1" or 3/4" diameter, 30 meters long, double layer, synthetic textile fiber reinforced rubber hose, and test pressure 40 bar, burst pressure 60 bar.
- 1" or 3/4" Nozzle made of brass and/or rigid high impact plastic with function shutoff-straight-fog.
- 1.5" Brass valve inlet equipped with hose adaptor.
- English & Arabic operating instructions.



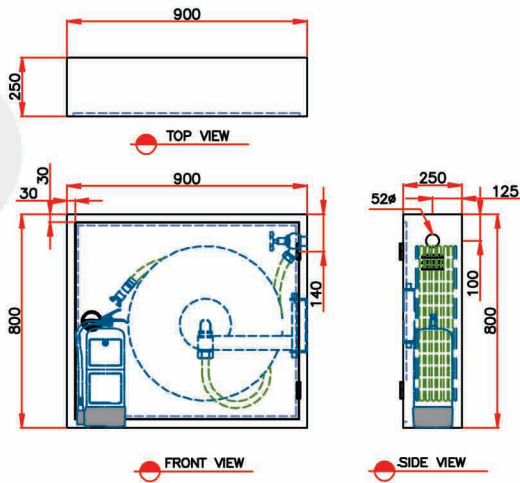
# FIRE HOSE CABINET

Part NO. HB 2500 W for 1"  
Part NO. HB 1900 W for 3/4"

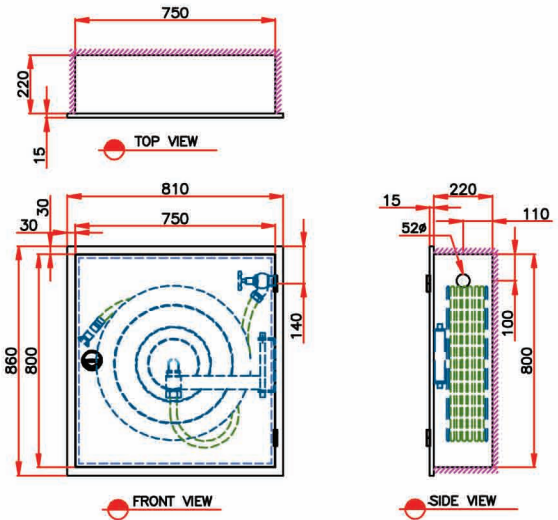


SURFACE MOUNTED 1" OR 3/4" RUBBER HOSE REEL CABINET

Part NO. HB 2500 RE for 1"  
Part NO. HB 1900 RE for 3/4"

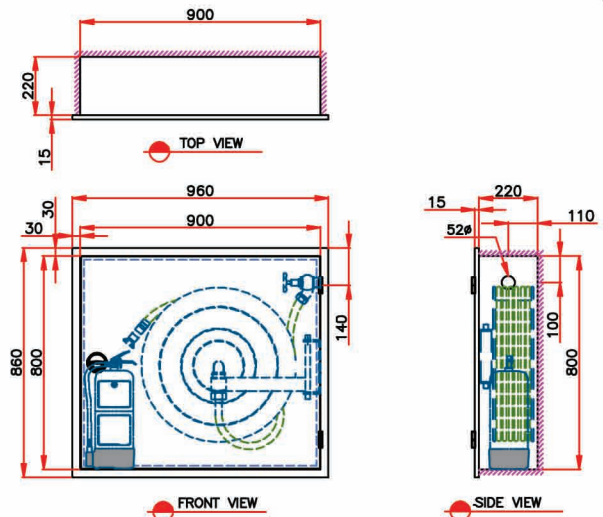


SURFACE MOUNTED 1" OR 3/4" RUBBER HOSE REEL CABINET WITH EXTINGUISHER



RECESSED TYPE 1" OR 3/4" RUBBER HOSE REEL CABINET

Part NO. HB 2500 R for 1"  
Part NO. HB 1900 R for 3/4"

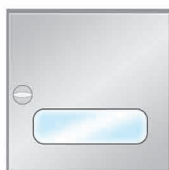


RECESSED TYPE 1" OR 3/4" RUBBER HOSE REEL CABINET WITH EXTINGUISHER

Part NO. HB 2500 WE for 1"  
Part NO. HB 1900 WE for 3/4"



MODEL - C  
Circular Glass Window



MODEL - H  
Horizontal Glass Window



MODEL - V  
Vertical Glass Window



MODEL - G  
Full Glass Door